

THE FARNSWORTH HOUSE COLLECTION[©]

BOOT BOX



SIZE OPTIONS:

SINGLE COMPARTMENT, QUEEN

52" L x 19" W x 18" H
(1 RUBBER LINER INCLUDED)

DOUBLE COMPARTMENT, KING
(shown above)

64" L x 19" W x 18" H
(2 RUBBER LINERS INCLUDED)

PRICING IS FORTHCOMING AND WILL BE PROVIDED UPON INQUIRY

WOOD OPTIONS

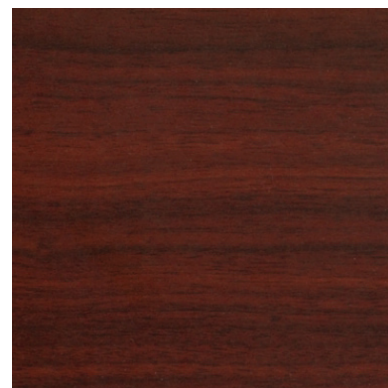
(OTHER WOODS AVAILABLE UPON SPECIAL REQUEST)



TEAK VENEER



ENGLISH SYCAMORE VENEER



EMPIRE MAHOGANY VENEER

WOOD FINISH:

MATTE

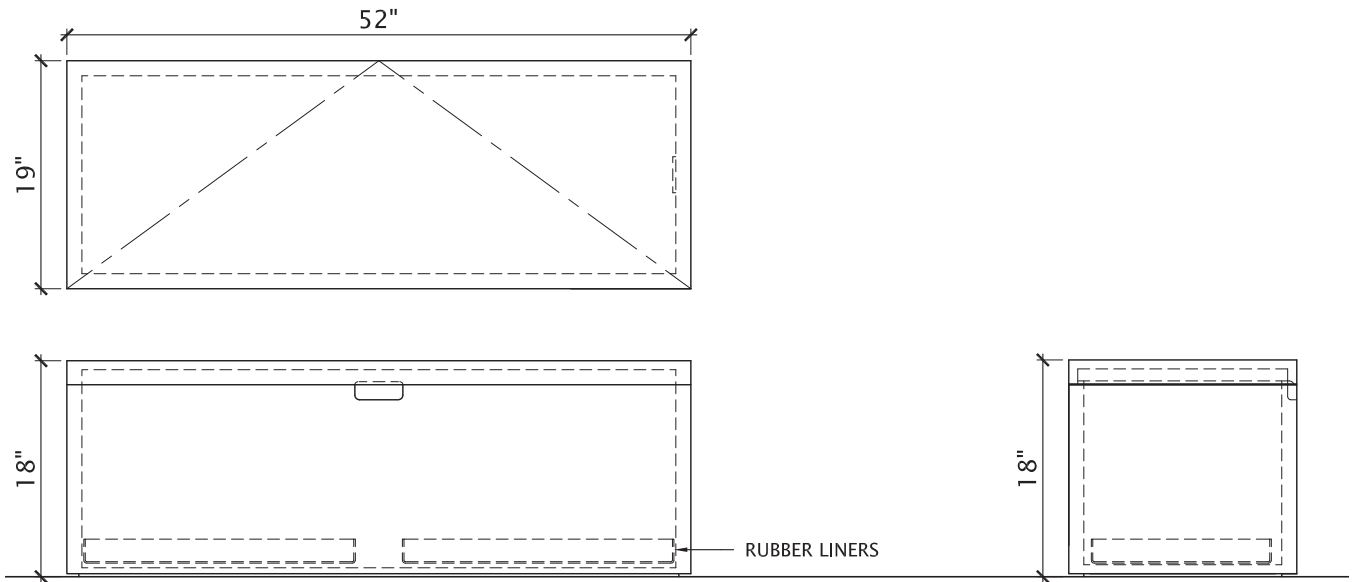
SEMI-GLOSS

HIGH GLOSS

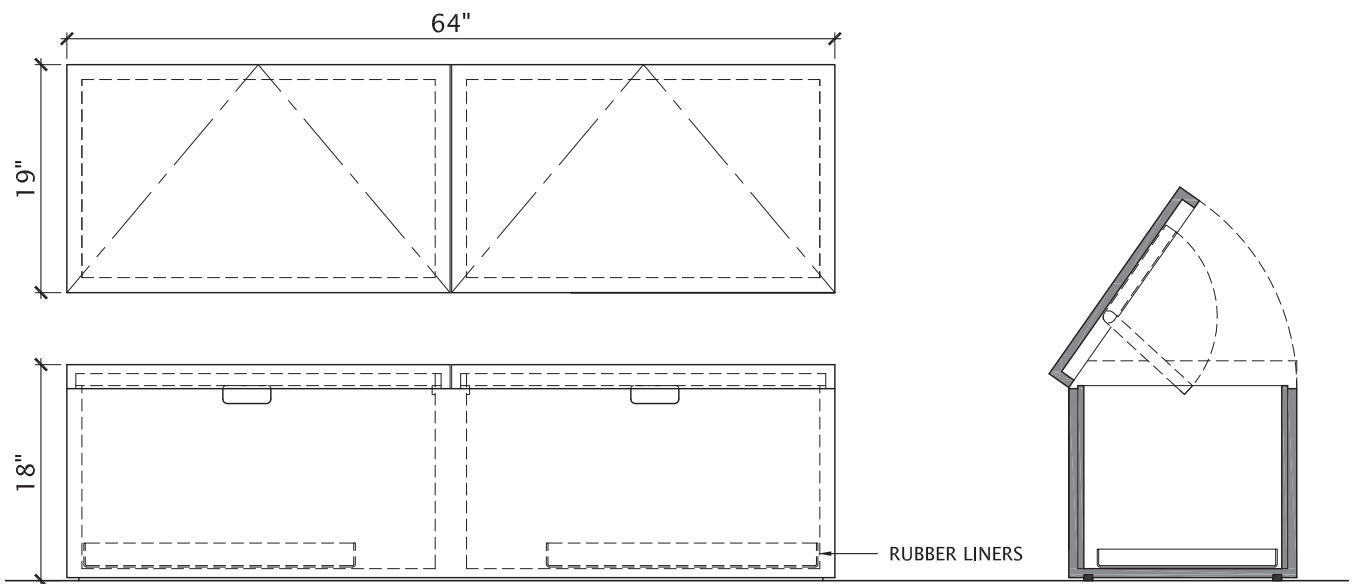
DIRK LOHAN DESIGNS
CHICAGO, IL T: (312) 420-1877
WWW.DIRKLOHANDESIGNS.COM

THE FARNSWORTH HOUSE COLLECTION[©]

BOOT BOX



SINGLE COMPARTMENT BOOT BOX, QUEEN
CLEAR INTERIOR DIMENSIONS: 49" L X 16" W X 16" H



DOUBLE COMPARTMENT BOOT BOX, KING
CLEAR INTERIOR DIMENSIONS: 29" L X 16" W X 16" H